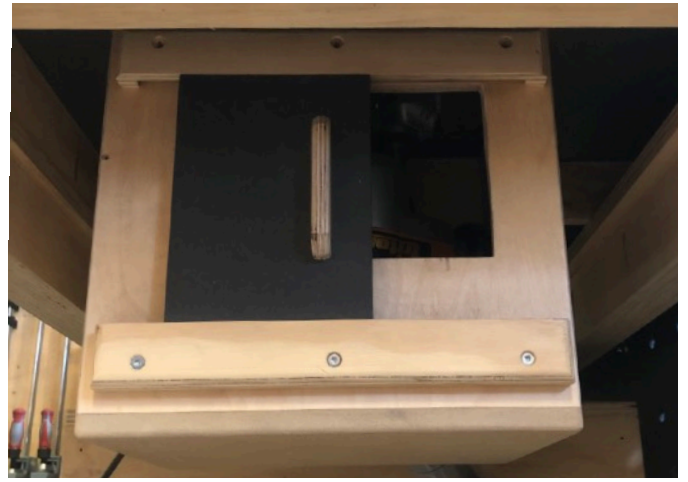


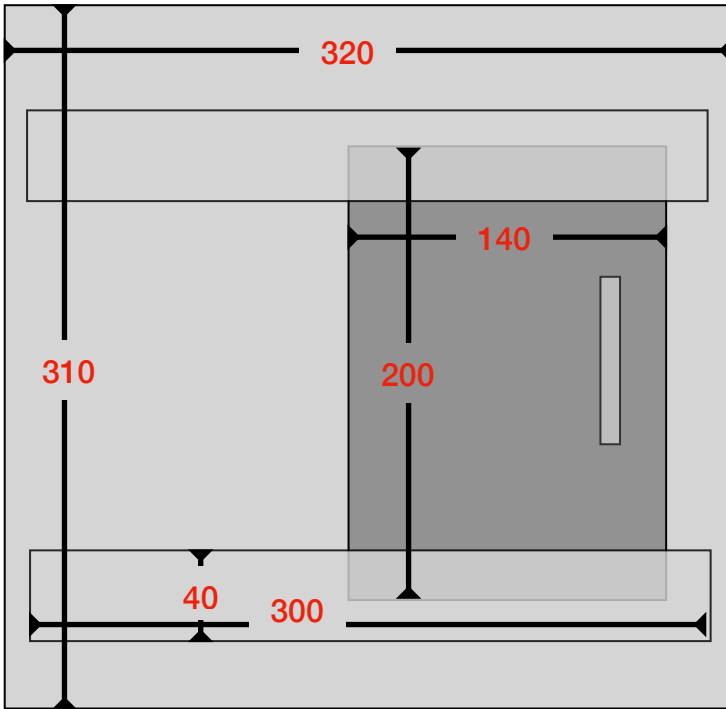
Dust extraction box for Triton Router MOF001 1400 W

Note:

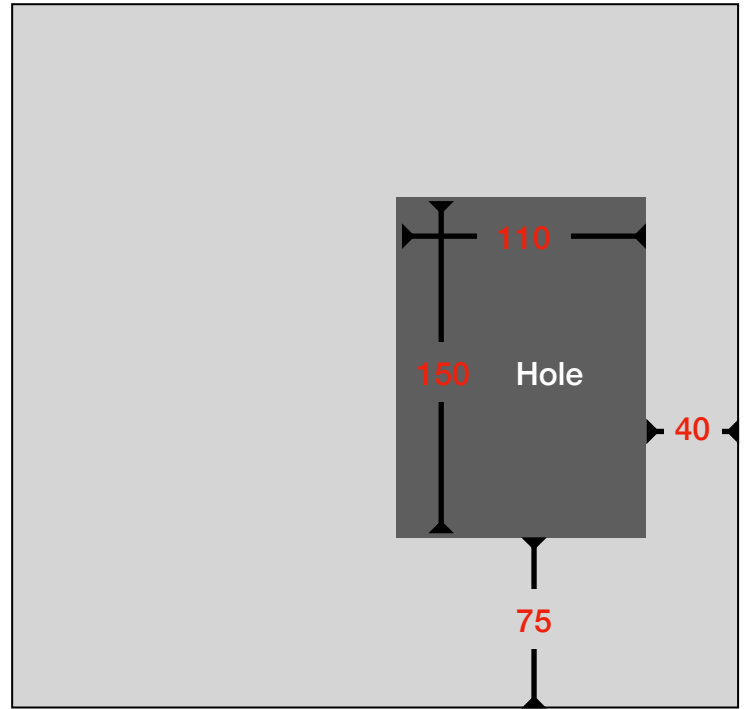
- In the drawing I made the hole a bit bigger than on the picture.
- Dimensions are outside dimensions, Thickness of material is 18mm
- Dimensions are in mm
- I would make the extraction hole at the underside instead of the back that I did.



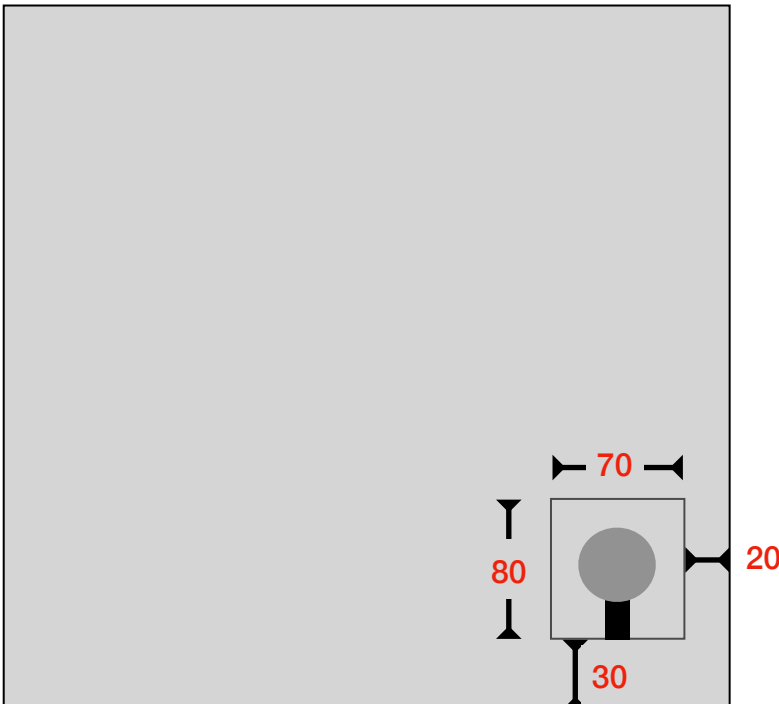
Front



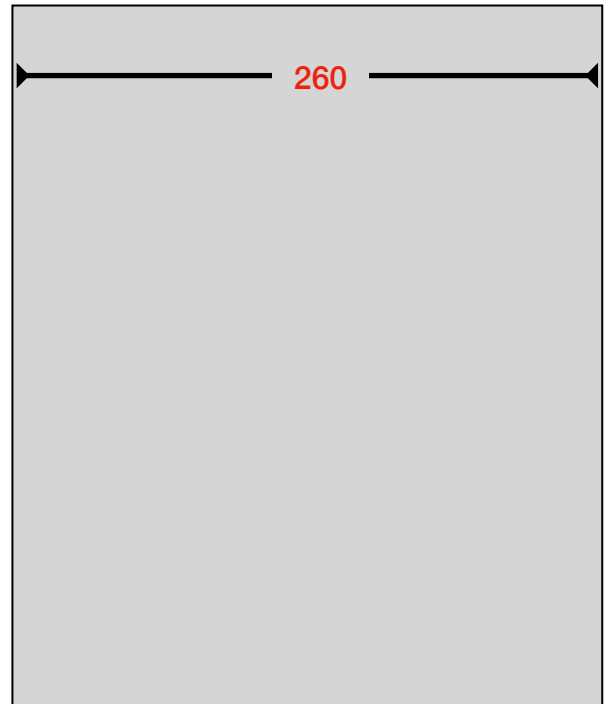
Front



Back



Side



Some pictures

