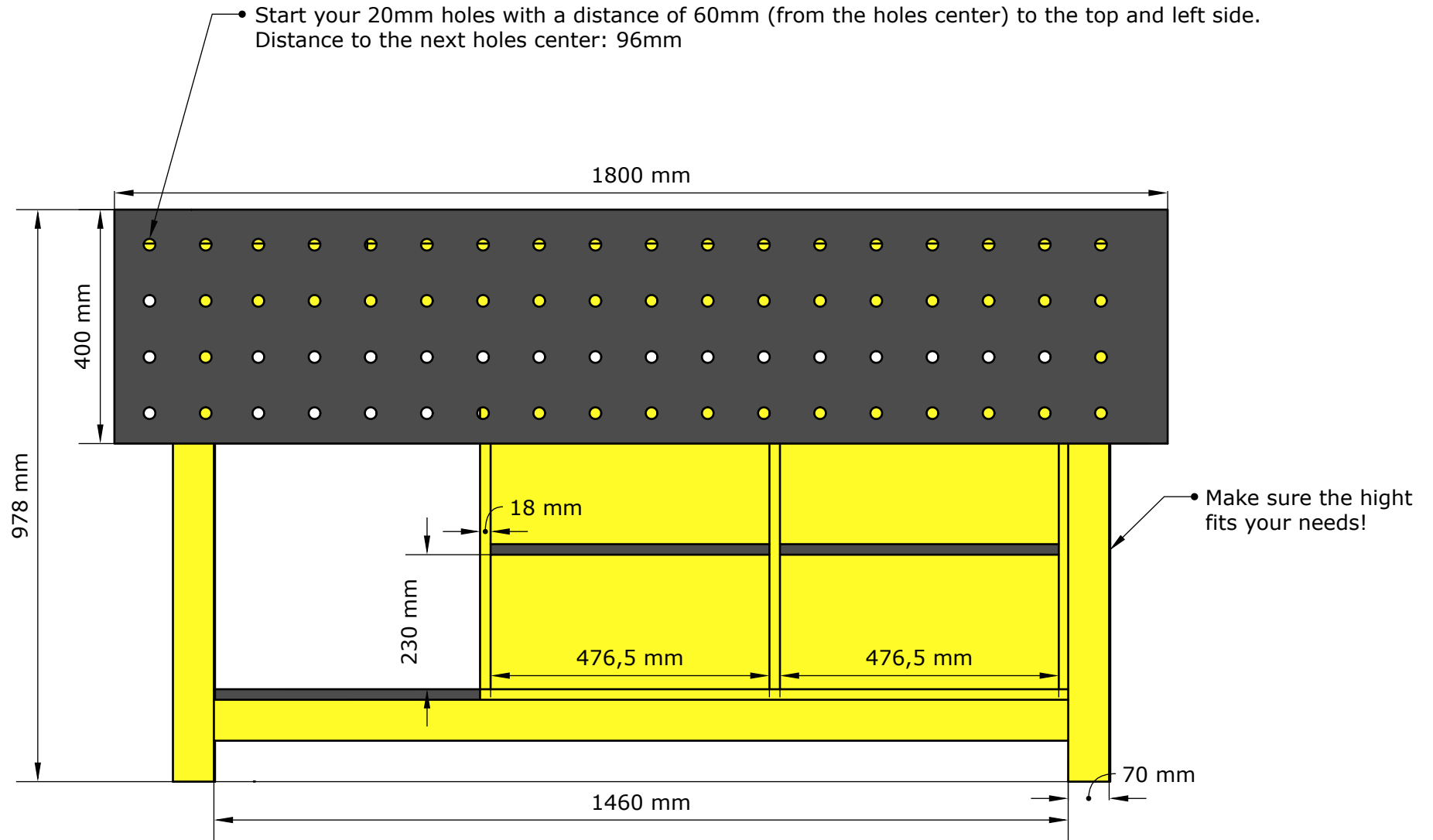
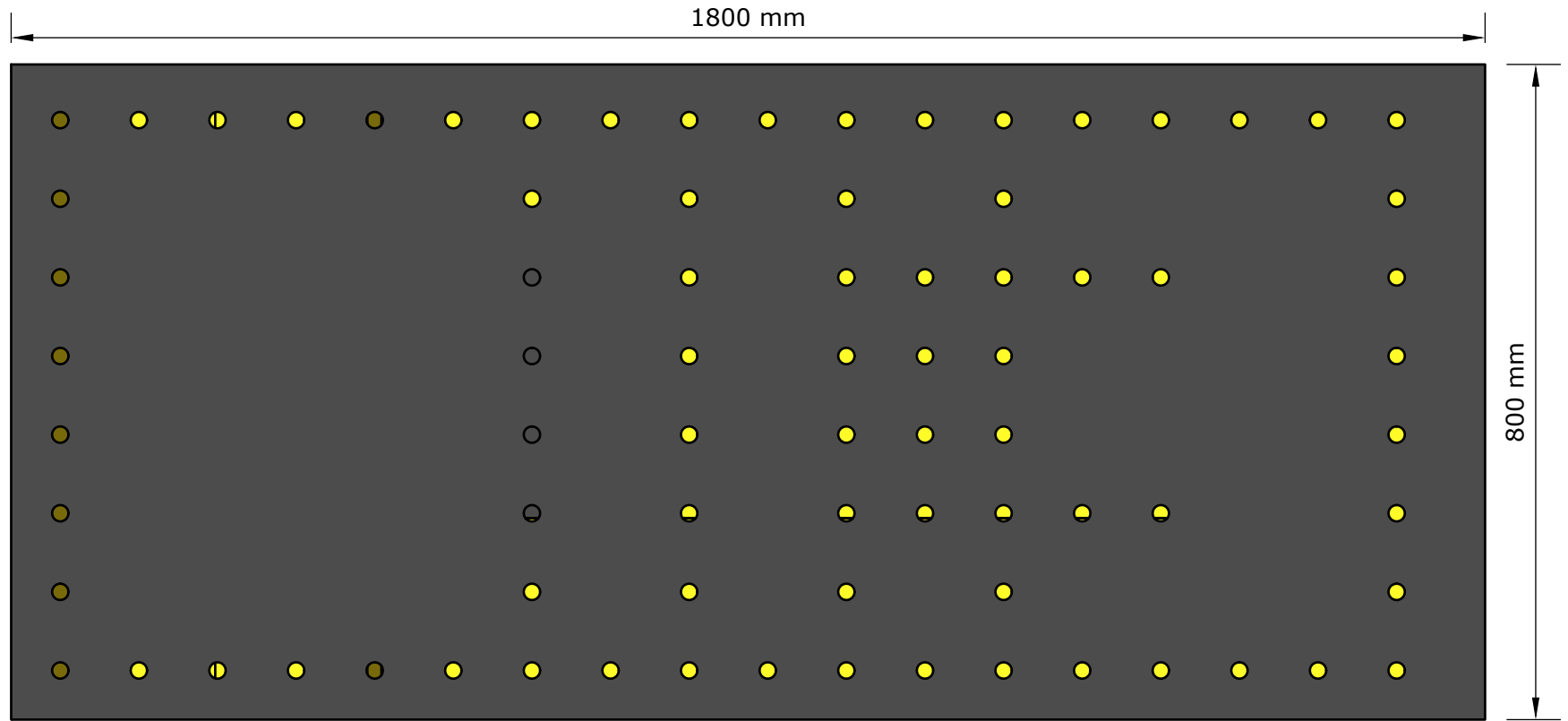


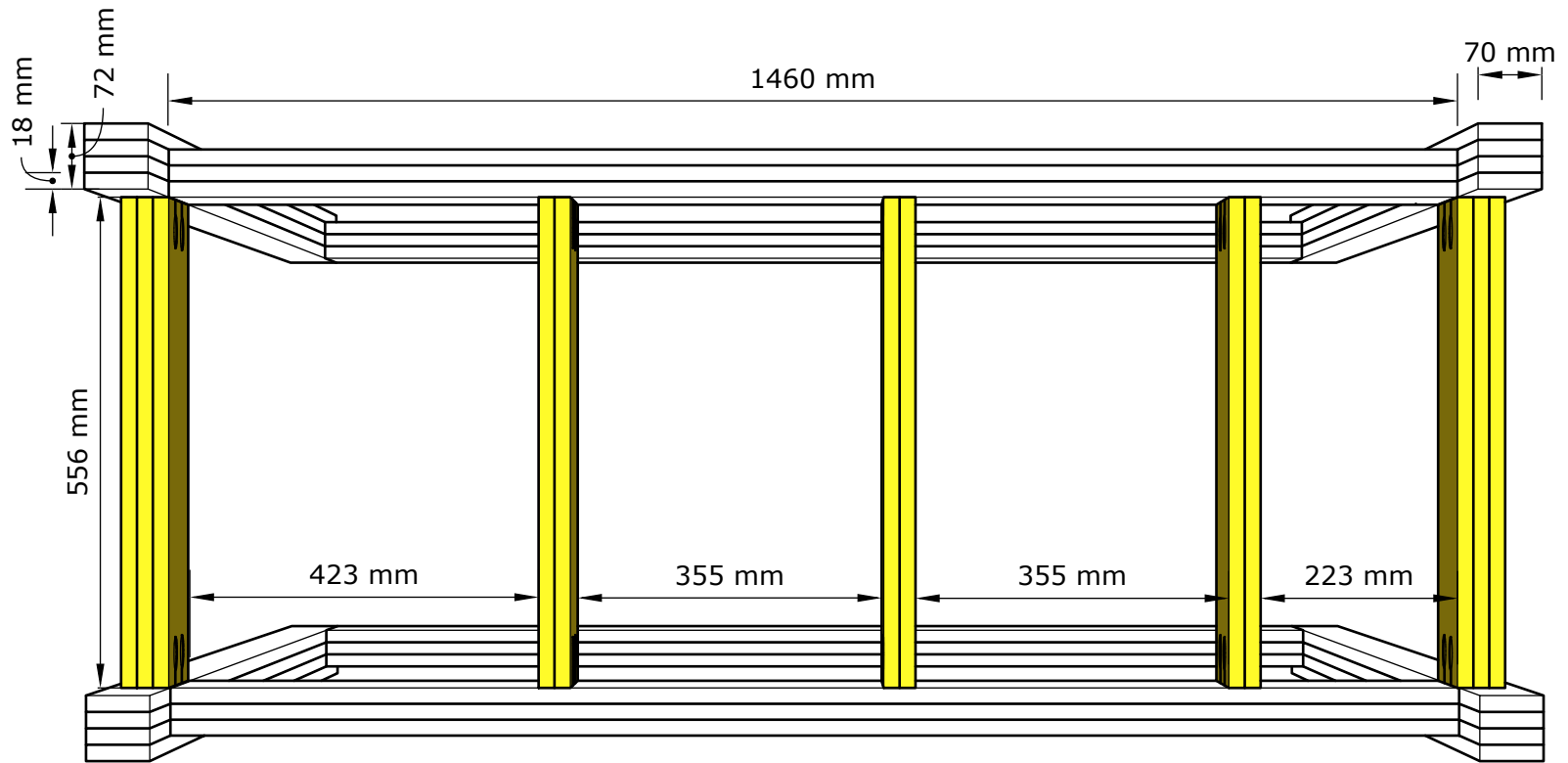
Front View



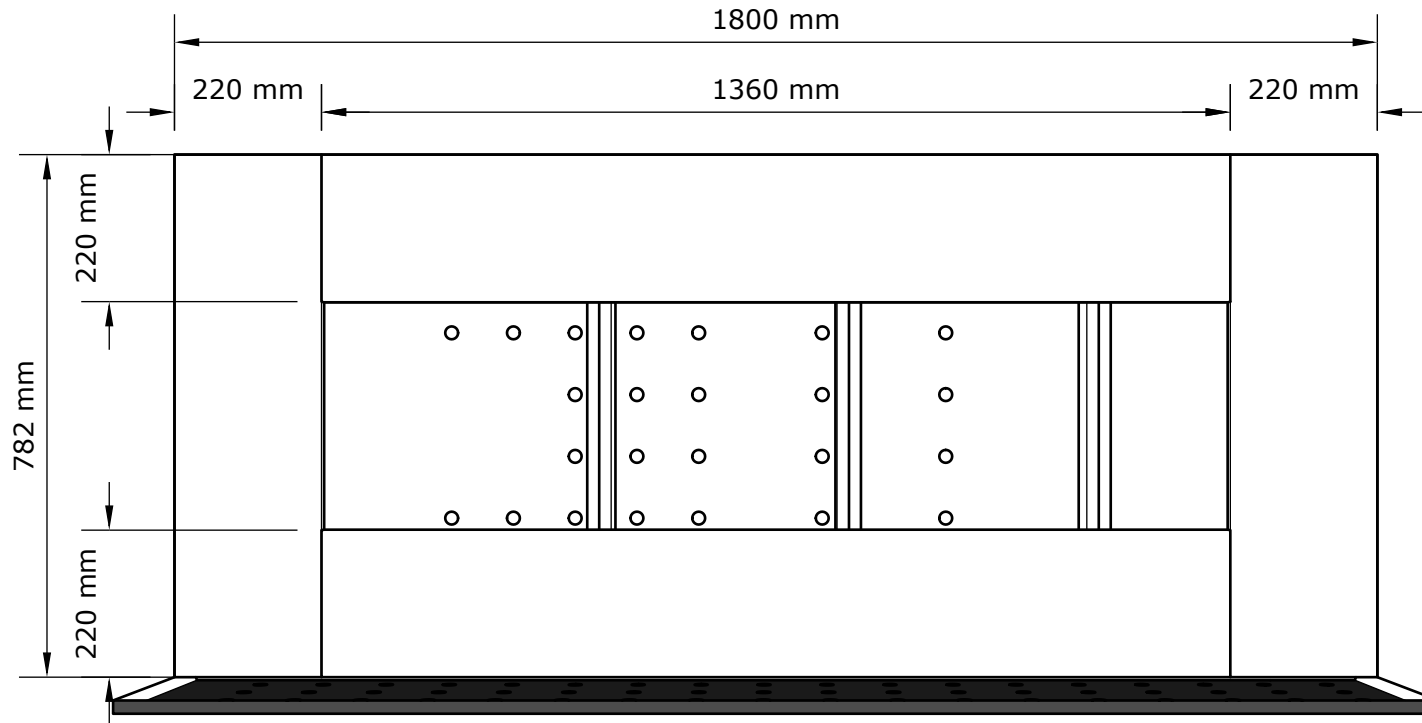


• Reference point for 20mm holes: 60 mm space to the front and left side the center of the hole.
Grid: 96 mm to every direction (hole center to hole center)

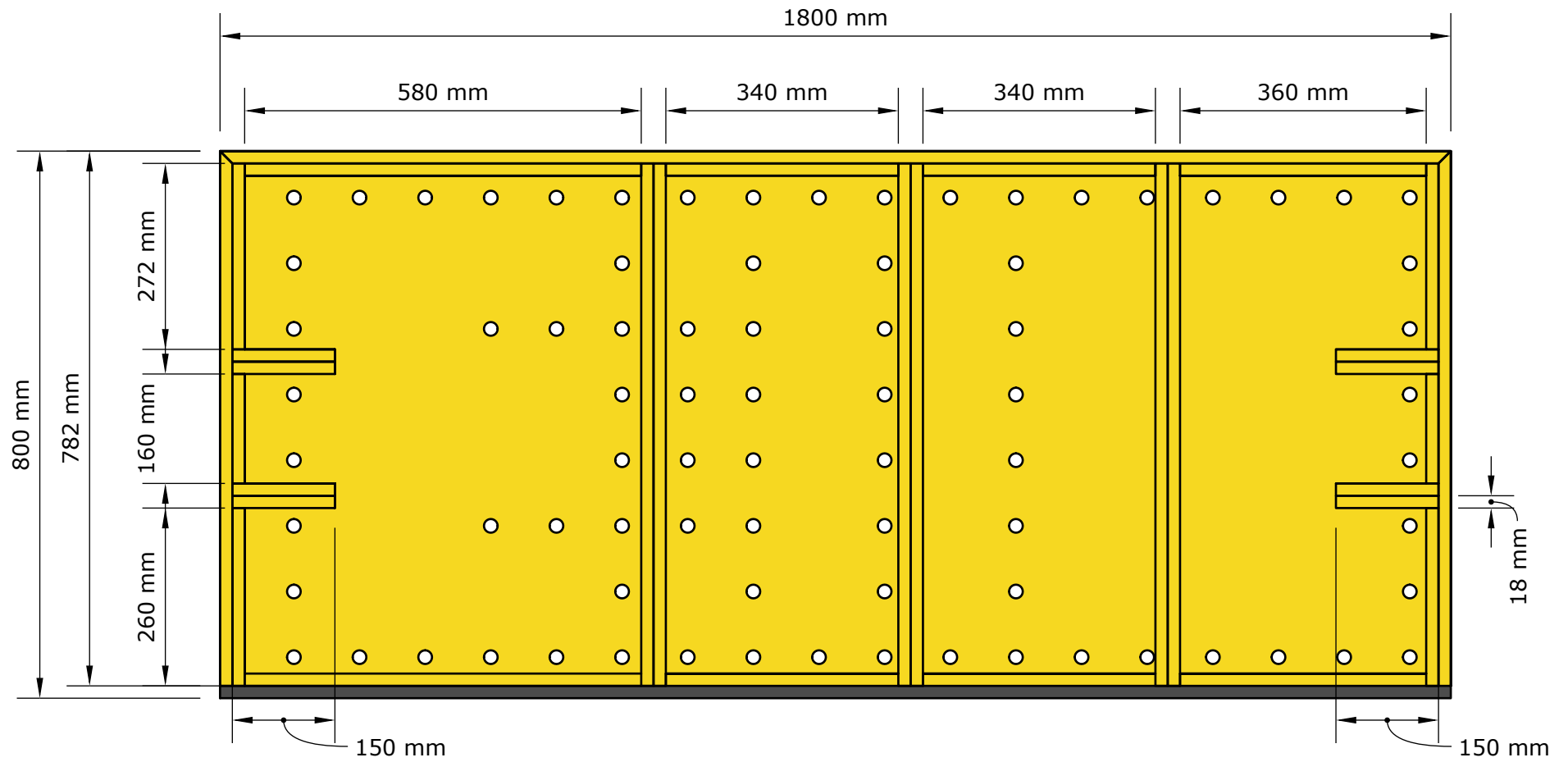
Bottom view (frame only)



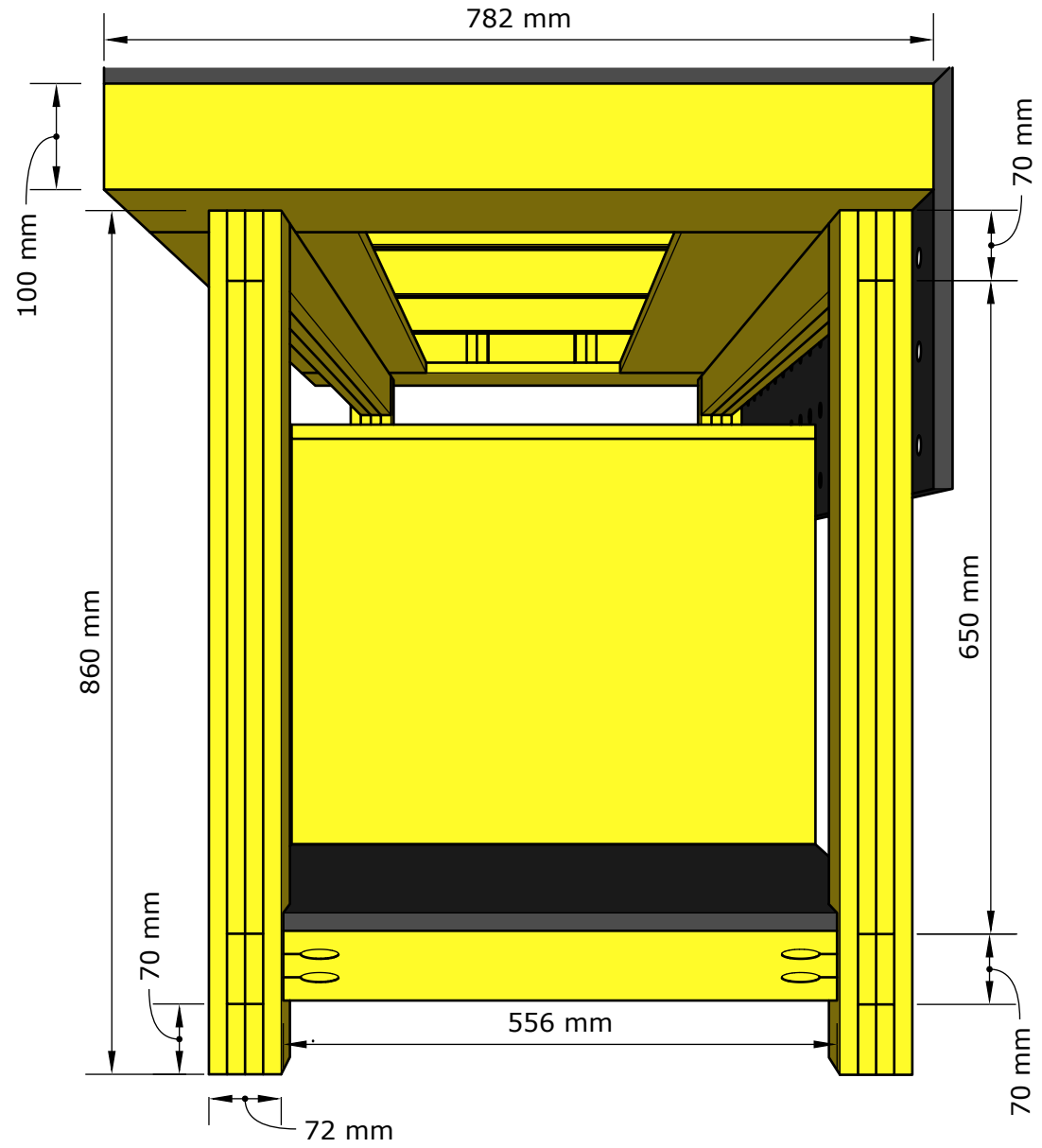
Bottom view (table top and front)



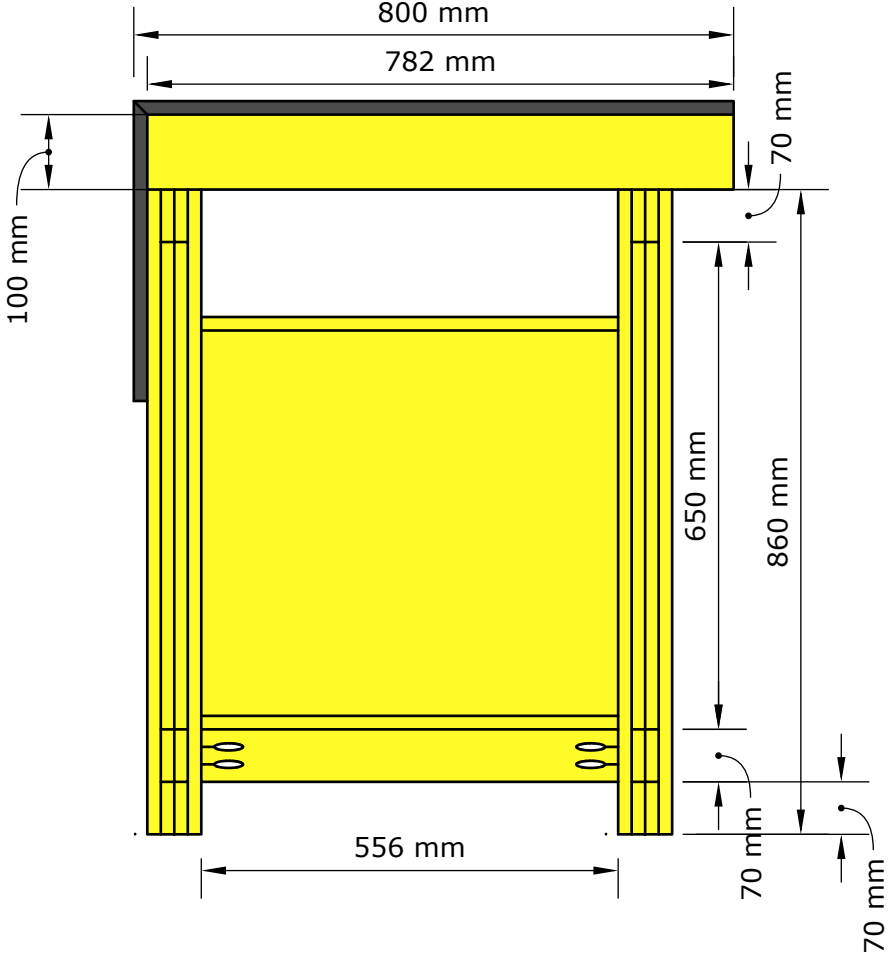
Bottom view
(with bottom covers removed)



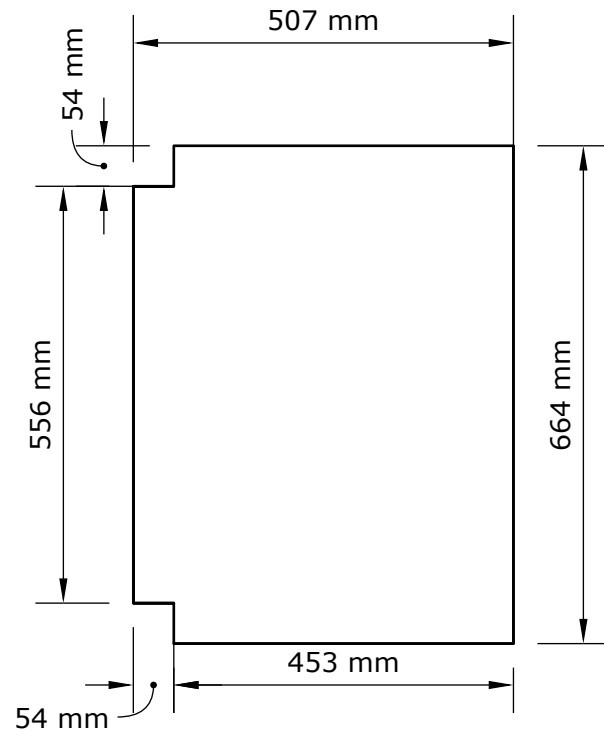
Left view



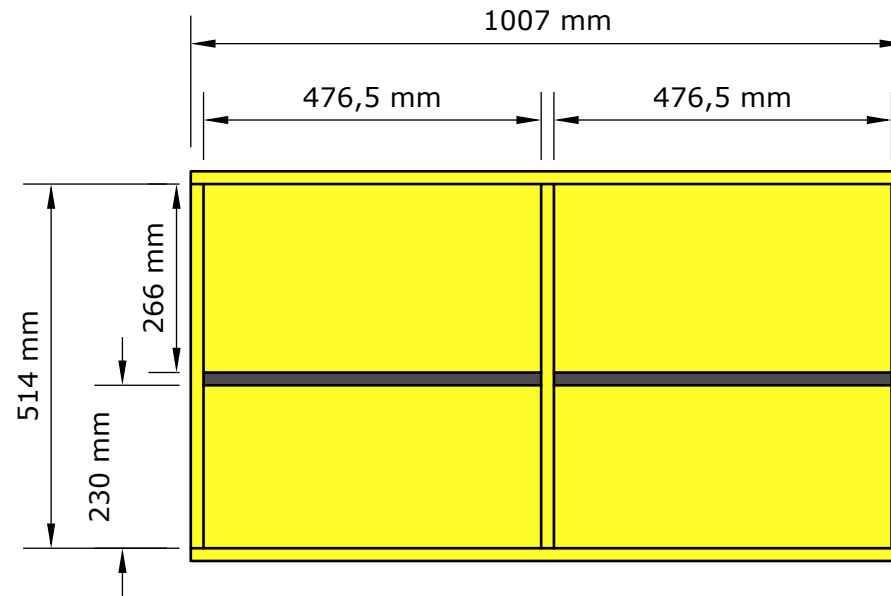
Right view



Cover for bottom frame



Cabinet
(Front view)



Cabinet
(Front view - 3D)

