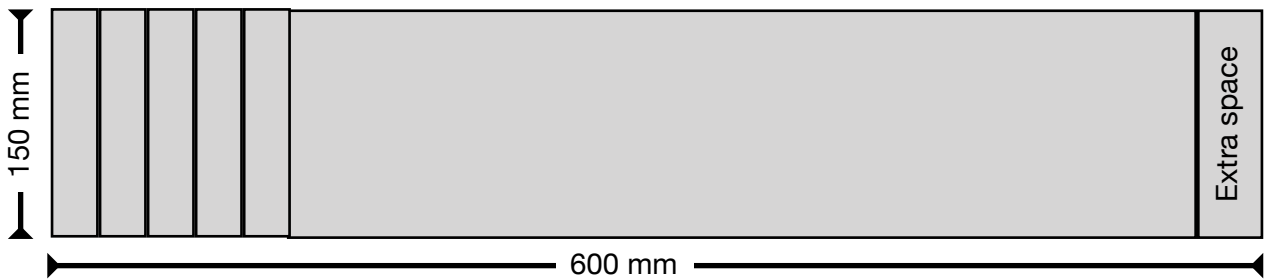




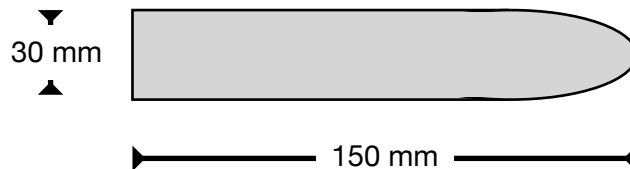
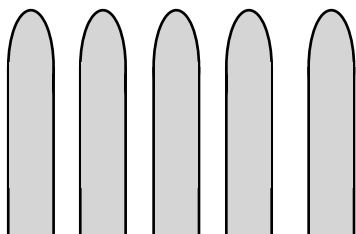
Step 1.

First we cut the platform and the dividers. They have the same wide, so we can cut them together. We cut it a bit longer. Later we cut it at the right length.



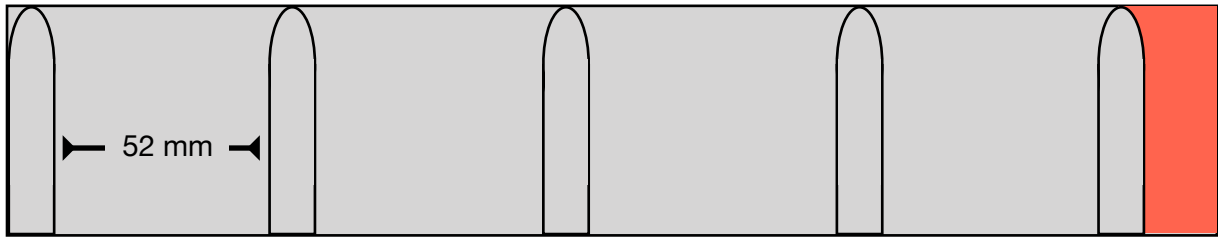
Step 2.

Cutting and Rounding the dividers



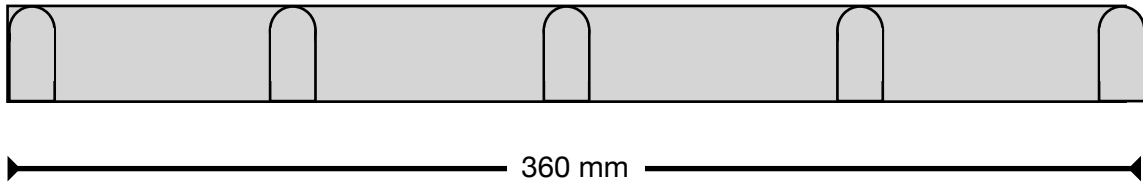
Step 3.

Glueing the dividers on the platform. Use the actual clamp to measure the distance between the dividers. Make sure the clamps have enough space to glide into place. In my case this is about 52 mm. When this is done, you cut off the last part!



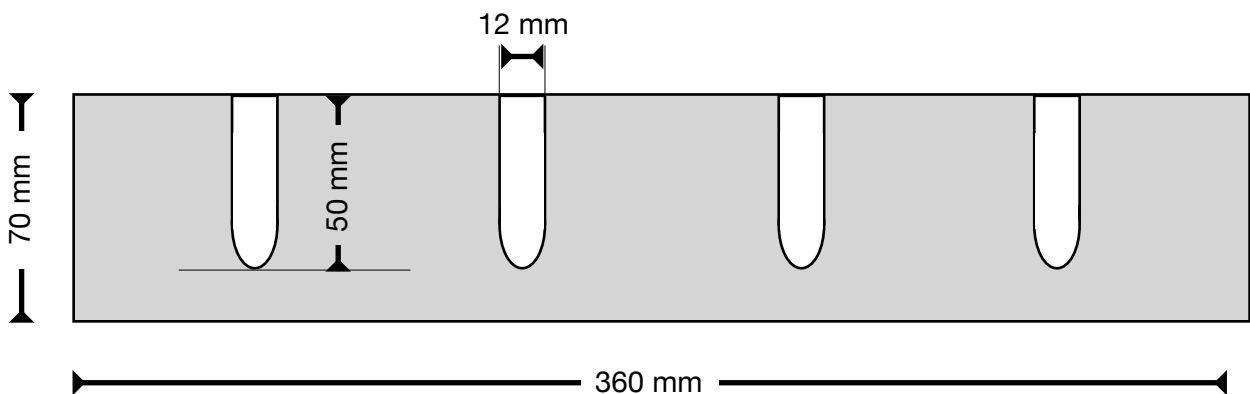
Step 4.

Measure the actual length of the board. Then we can cut the back board at the right dimensions. In my case about 360 mm

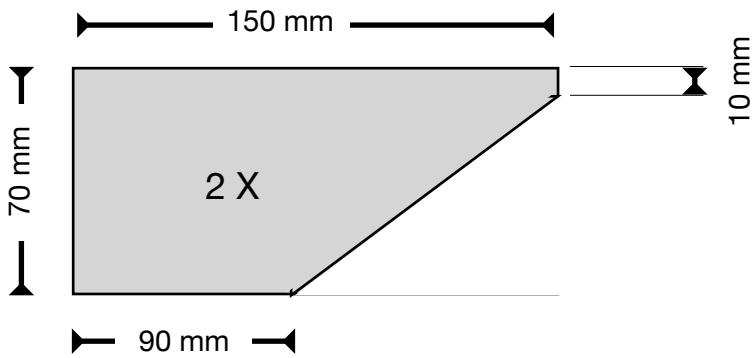


Step 5.

Making the holder to keep the clamps in place. After cutting it at the right dimensions, we have to cut the slots out of the holder. The wide of my board is 70 mm. The length is depending on how much clamps you want to use. In my case 360 mm.



Step 6. Cutting the 2 lifters.



Step 7. Putting it together.

